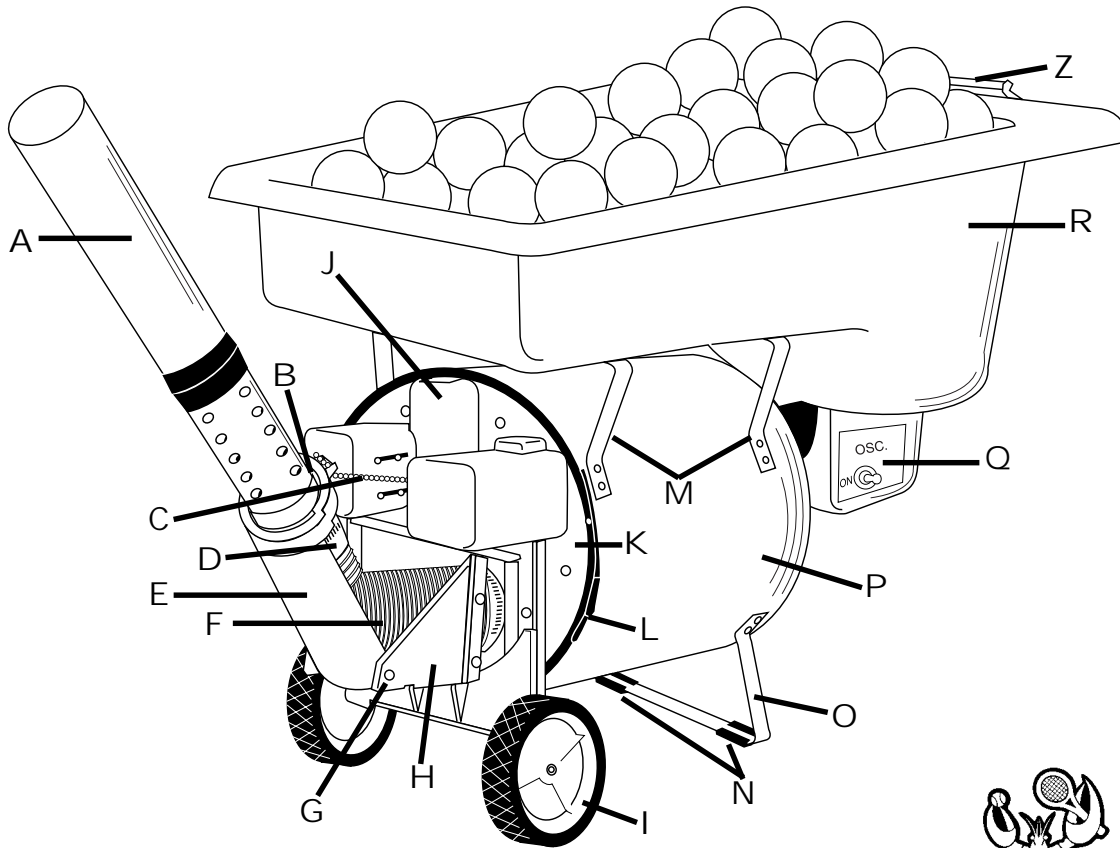
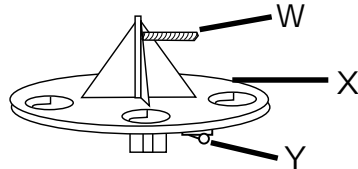


# Tournament Model 401/301

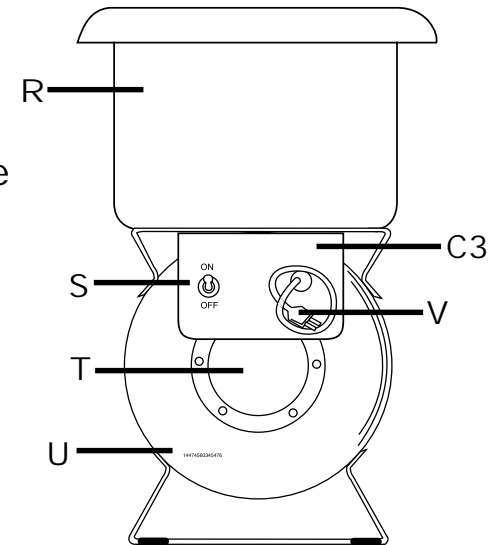


## Parts & Assembly Chart



- |   |                     |    |                          |
|---|---------------------|----|--------------------------|
| A | Shot Selector       | P  | Cannister                |
| B | Channel ring        | Q  | Oscillator toggle switch |
| C | Chain               | R  | Hopper                   |
| D | Detent              | S  | Main toggle switch       |
| E | Channel             | T  | Rear elbow assembly      |
| F | Detent hose         | U  | Serial number location   |
| G | Allan shoulder bolt | V  | Power cord               |
| H | Yoke                | W  | Rotor spring             |
| I | Wheel               | X  | Rotor                    |
| J | Muffler foam        | Y  | 10/32 x 1" Machine screw |
| K | Mainframe           | Z  | Handle                   |
| L | Closing ring        | A1 | Front clamp              |
| M | Hopper support      | B2 | Angle bracket (2)        |
| N | Neoprene pads       | C3 | Electric box             |
| O | Leg(s)              | D4 | Oscillator pan           |
|   |                     | E5 | Rosette knob (2)         |

### Machine back



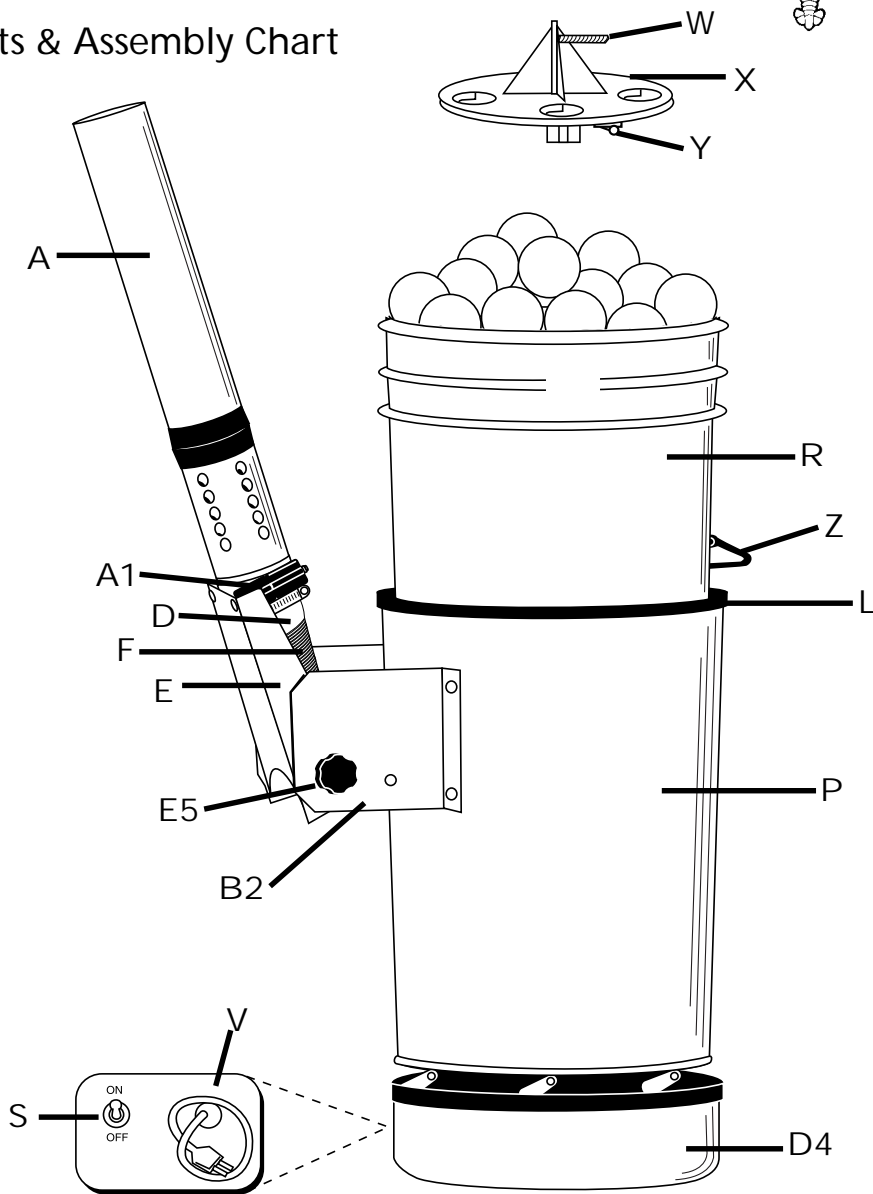
affordable, reliable, portable  
ball machines

1118 North Avenue, P.O. Box 2865, Plainfield, NJ 07062  
800.526.4041 Fax 908.668.0436 [www.lobsterinc.com](http://www.lobsterinc.com)

# Ball Bucket 201/205 & 202/204



## Parts & Assembly Chart



- |   |                     |    |                          |
|---|---------------------|----|--------------------------|
| A | Shot Selector       | P  | Cannister                |
| B | Channel ring        | O  | Oscillator toggle switch |
| C | Chain               | R  | Hopper                   |
| D | Detent              | S  | Main toggle switch       |
| E | Channel             | T  | Rear elbow assembly      |
| F | Detent hose         | U  | Serial number location   |
| G | Allan shoulder bolt | V  | Power cord               |
| H | Yoke                | W  | Rotor spring             |
| I | Wheel               | X  | Rotor                    |
| J | Muffler foam        | Y  | 10/32 x 1" Machine screw |
| K | Mainframe           | Z  | Handle                   |
| L | Closing ring        | A1 | Front clamp              |
| M | Hopper support      | B2 | Angle bracket (2)        |
| N | Neoprene pads       | C3 | Electric box             |
| O | Leg(s)              | D4 | Oscillator pan           |
|   |                     | E5 | Rosette knob (2)         |

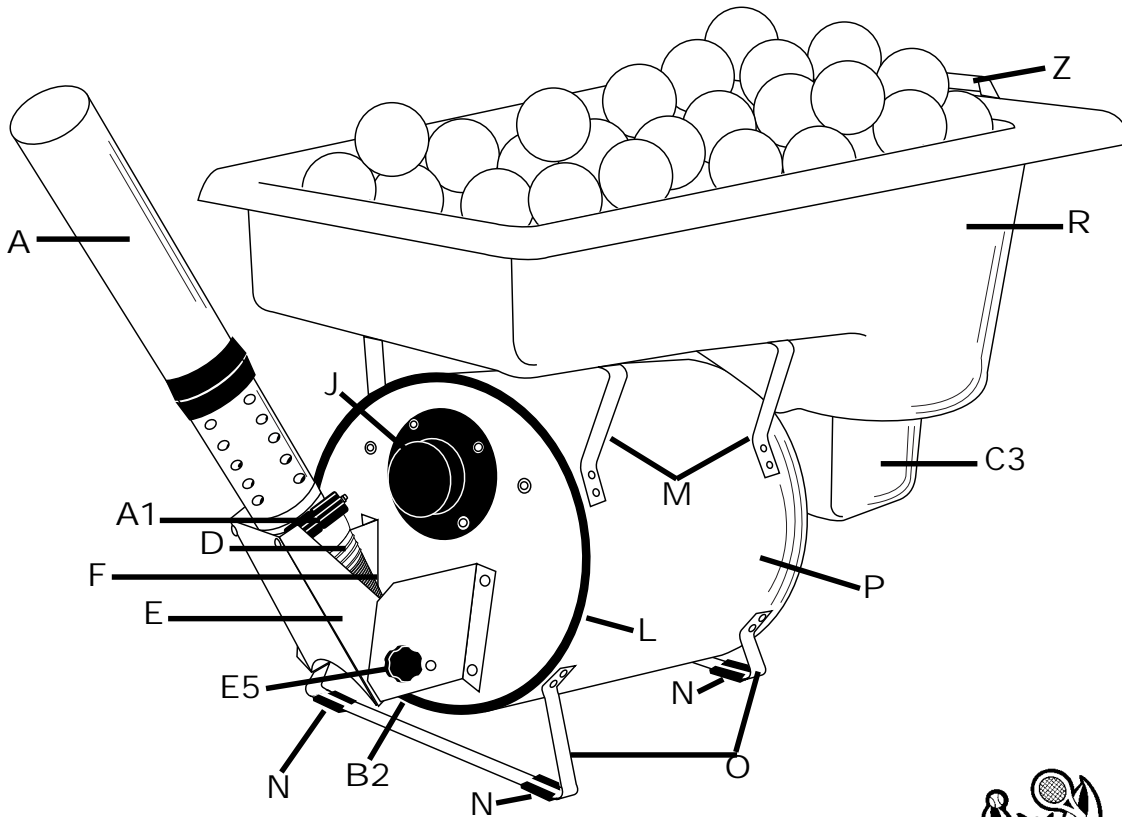
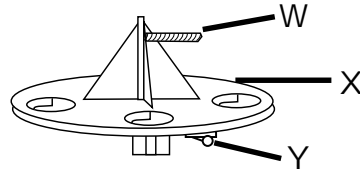


affordable, reliable, portable  
ball machines

1118 North Avenue, P.O. Box 2865, Plainfield, NJ 07062  
800.526.4041 Fax 908.668.0436 [www.lobsterinc.com](http://www.lobsterinc.com)

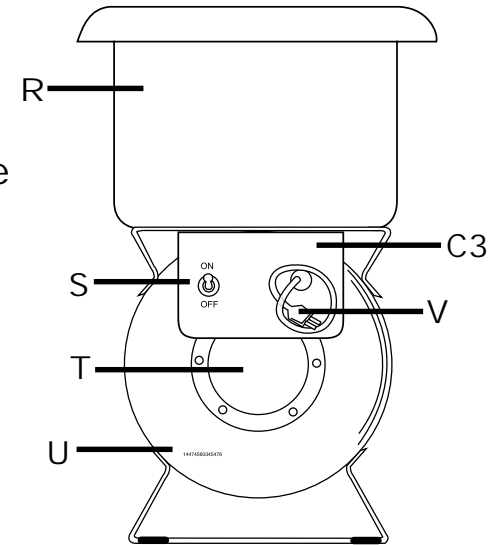
# Model 101

## Parts & Assembly Chart



- |   |                     |    |                          |
|---|---------------------|----|--------------------------|
| A | Shot Selector       | P  | Cannister                |
| B | Channel ring        | Q  | Oscillator toggle switch |
| C | Chain               | R  | Hopper                   |
| D | Detent              | S  | Main toggle switch       |
| E | Channel             | T  | Rear elbow assembly      |
| F | Detent hose         | U  | Serial number location   |
| G | Allan shoulder bolt | V  | Power cord               |
| H | Yoke                | W  | Rotor spring             |
| I | Wheel               | X  | Rotor                    |
| J | Muffler foam        | Y  | 10/32 x 1" Machine screw |
| K | Mainframe           | Z  | Handle                   |
| L | Closing ring        | A1 | Front clamp              |
| M | Hopper support      | B2 | Angle bracket (2)        |
| N | Neoprene pads       | C3 | Electric box             |
| O | Leg(s)              | D4 | Oscillator pan           |
|   |                     | E5 | Rosette knob (2)         |

### Machine back



affordable, reliable, portable  
ball machines  
1118 North Avenue, P.O. Box 2865, Plainfield, NJ 07062  
800.526.4041 Fax 908.668.0436 [www.lobsterinc.com](http://www.lobsterinc.com)